

INTRODUCTION

	Page
GENERAL REPAIR INSTRUCTIONS	1-2
ABBREVIATIONS USED IN TOYOTA REPAIR MANUALS	1-3
HOW TO USE THIS MANUAL	1-4
SYMBOLS	1-6

GENERAL REPAIR INSTRUCTIONS

- 1. Use fender, seat and floor covers to keep the car clean and prevent damage.**
- 2. During disassembly, keep parts in order to facilitate reassembly.**
- 3. Before performing electrical work, disconnect the cable from the battery terminal.**
- 4. Always replace cotter pins, gaskets and O rings with new ones.**
- 5. When necessary, use a sealer on gaskets to prevent leaks.**
- 6. Carefully observe all specifications for bolt tightening torques. Always use a torque wrench.**
- 7. Use genuine Toyota parts.**
- 8. When replacing fuses, be sure the new fuse is the correct amperage rating. DO NOT exceed the fuse amp rating or use one of a lower rating.**
- 9. If the vehicle is to be jacked up only at the front or rear end, be sure to block the wheels in order to ensure safety.**
- 10. After the vehicle is jacked up, be sure to support it on stands. It is extremely dangerous to do any work on the vehicle raised on a jack alone, even for a small job that can be finished quickly.**
- 11. Use of a special service tool (SST) may be required, depending on the nature of the repair. Be sure to use SST where specified and follow the proper work procedure. A list of SST can be found at the back of this manual.**

ABBREVIATIONS USED IN TOYOTA REPAIR MANUALS

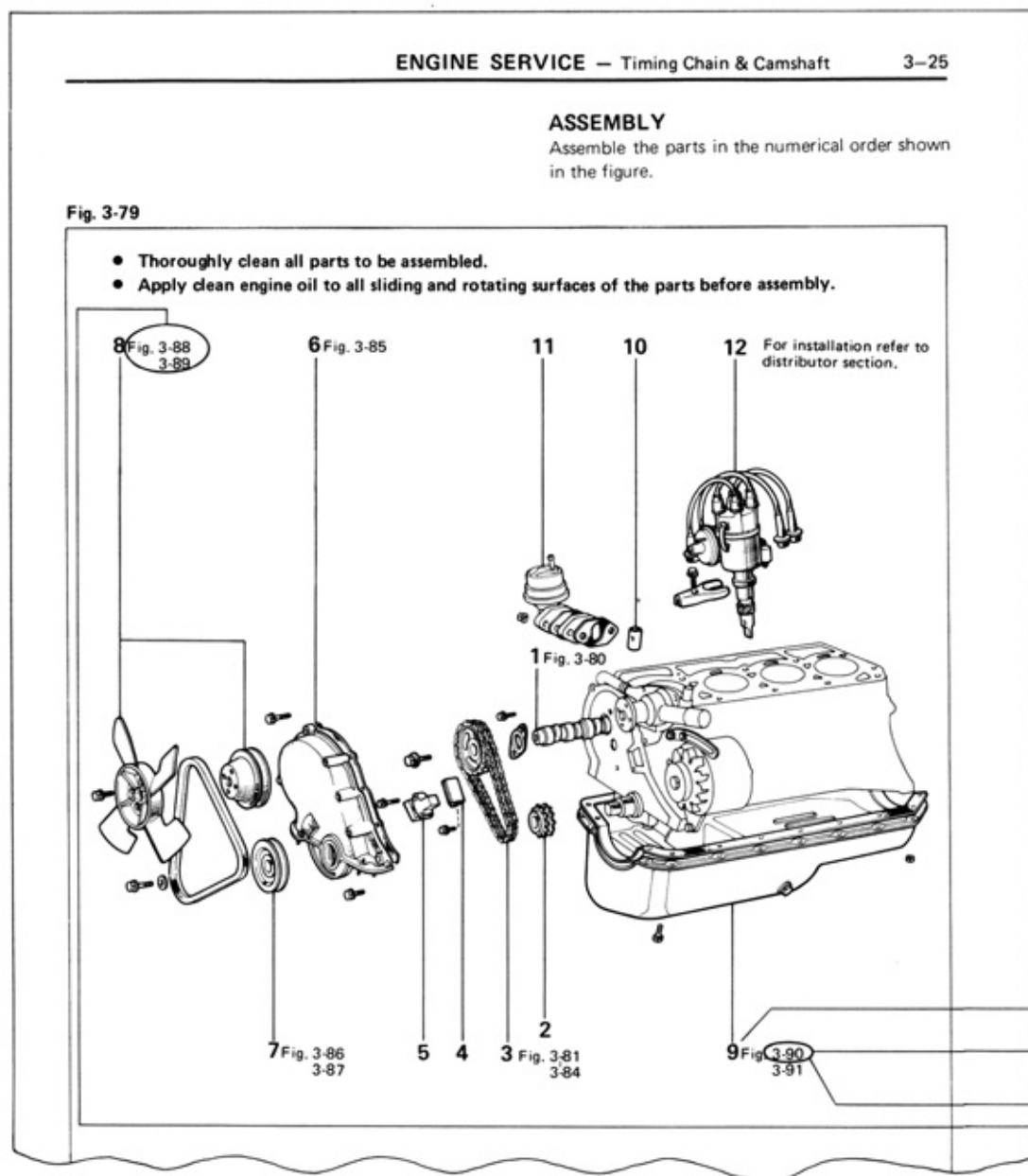
For convenience, the following abbreviations are used in Toyota repair manuals.

Abbreviation	Term	Abbreviation	Term
A/C	Air Conditioner	MP	Multipurpose
AI	Air Injection	M/T	Manual Transmission
A/T	Automatic Transmission	O/S	Oversize
BDC	Bottom Dead Center	RH	Right-hand
BTDC	Before Top Dead Center	RHD	Right-hand Drive
CO	Carbon Monoxide	SST	Special Service Tool
EGR	Exhaust Gas Recirculation	STD	Standard
EVAP	Fuel Evaporative Emission Control System	T	Tightening Torque
EX	Exhaust	TDC	Top Dead Center
HIC	Hot Idle Compensation	U/S	Undersize
IN	Intake	W/	With
LH	Left-hand	W/O	Without
LHD	Left-hand Drive		

HOW TO USE THIS MANUAL

1. OVERVIEW ILLUSTRATION

Many service operations begin with an overview illustration as a general guide.



(A) : The bold numbers show the order in which the work is to be done.

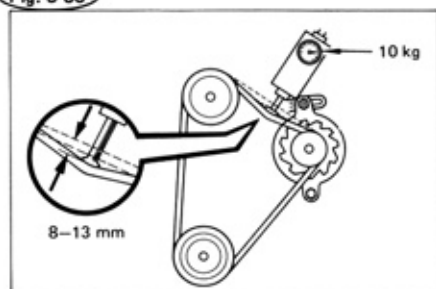
(B) : The figure numbers refer you to more detailed instructions and specifications.

2. ILLUSTRATED INSTRUCTIONS

All important steps in every service job are illustrated, but obvious steps are omitted to save space. Experienced technicians may only need to glance at the overview illustration and/or specifications.

3-28 ENGINE SERVICE – Timing Chain & Camshaft

Fig. 3-88



Adjust the V belt deflection.
Except USA & Canada

Drive belt deflection:

**7 – 11 mm at 10 kg
(0.28 – 0.43 in.) (22 lb)**

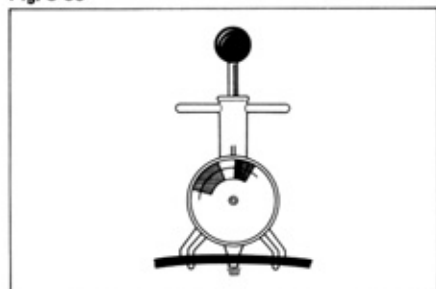
D

E

F

C

Fig. 3-89



Using a borroughs tension gauge BT-33-73F,
adjust the belt deflection.

**Drive belt deflection: 80 ± 20 lbs
(Used belt)**

Fig. 3-90



Apply liquid sealer to the cylinder block and
chain cover as shown in the figure.

C : The pictures give basic information on what to do in each step.

D : A symbol is often used to explain the action required.

E : The text explains how to perform the step.

F : Specifications, Notes and Cautions are given in bold type so you won't miss them.

SYMBOLS

The following symbols have been adopted for simplicity and quick recognition.



REMOVE or DISASSEMBLE



INSTALL or ASSEMBLE



INSPECT



MEASURE



TIGHTEN



CLEAN



IMPORTANT

MEMO
